

Kinetic LED System

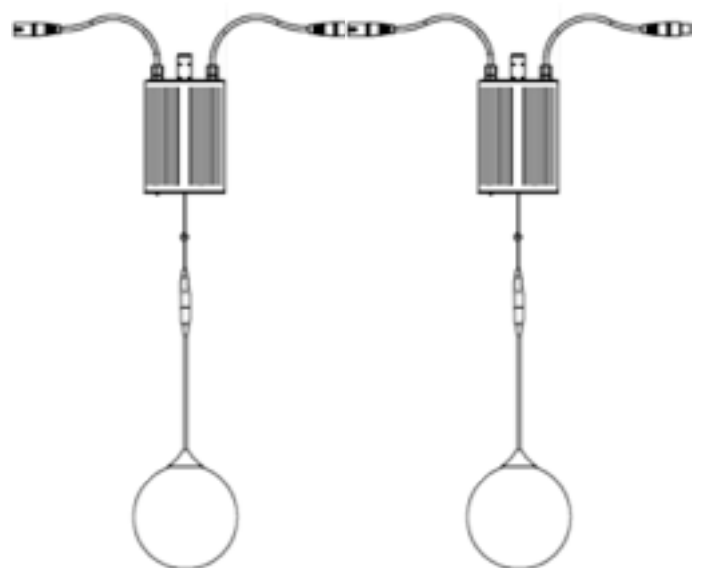
Orbis Fly



Orbis Fly is a unique LED Lighting Fixture that enables a perfect combination of lighting and movement. Orbis Fly is a simple and bright idea – to move up and down an illuminated object – a merge of the art of lighting with mechanical technology. Inspired by nature, this is the right product for your ambitious lighting project that can literally soar overhead.

Existing objects are RGB light balls with 120mm sizes, but a whole host of objects can be attached to the Orbis Fly motor unit. A light ball, or other object, is connected to a motor unit. Using very thin, specially designed, reinforced flat, signal cable the motor unit can move the objects up and down with precision. Each light ball can be adjusted individually in height, speed, color and luminance - simply by industry standard control equipment. Bespoke array creations of controllable motor units with light balls can generate complex three-dimensional abstract shapes and visual effects.

Individually shaped LED modules can be attached to the system to form custom solutions. Additionally, white, colored, or color changing lights can be integrated to suit various applications. It's designed to impress!



Audio Visual Network GmbH

EU: +49-7224-650-123

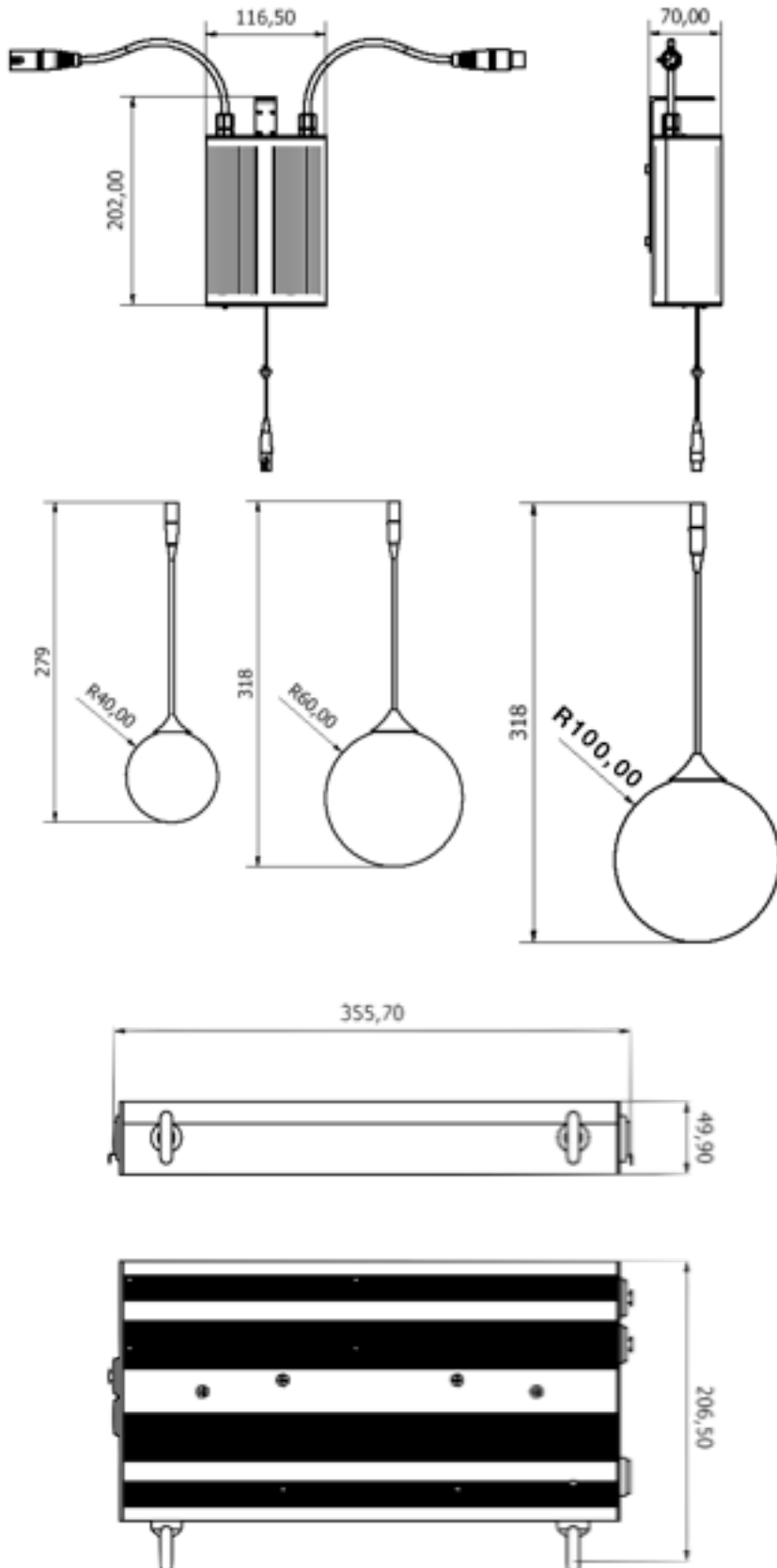
www.audio-visual-network.com

US: +1-646-405-1023

info@audio-visual-network.com

Kinetic LED System

Orbis Fly



Technical data:

Motor unit:

Speed : 0-0,15m/sec XLs-Version;
0-0,45m/sec. XL-Version
Lifting height: 6m
Weight : 1,5kg

LED-Objects:

Weight: LED-Sphere 80mm: 152g
Light Source: 4 Nichia SMD /8000 mcd
max 2x16 / Controller

Weight LED-Sphere 120mm: 152g
Light Source: 9 Nichia SMD / 15000mcd
Max. 2x12 / Controller

Weight LED-Sphere 200mm: 250g
LED-Object: 9 Nichia SMD / 15000 mcd
Max. 2x9 / Controller

Grayscale: 10 Bit

ArtNet Controller:

Control type: ArtNet
Power: PSU 230/110V 300W
Weight: 2,5kg

Audio Visual Network GmbH

EU: +49-7224-650-123

US: +1-646-405-1023

www.audio-visual-network.com

info@audio-visual-network.com

Kinetic LED System

Orbis Fly

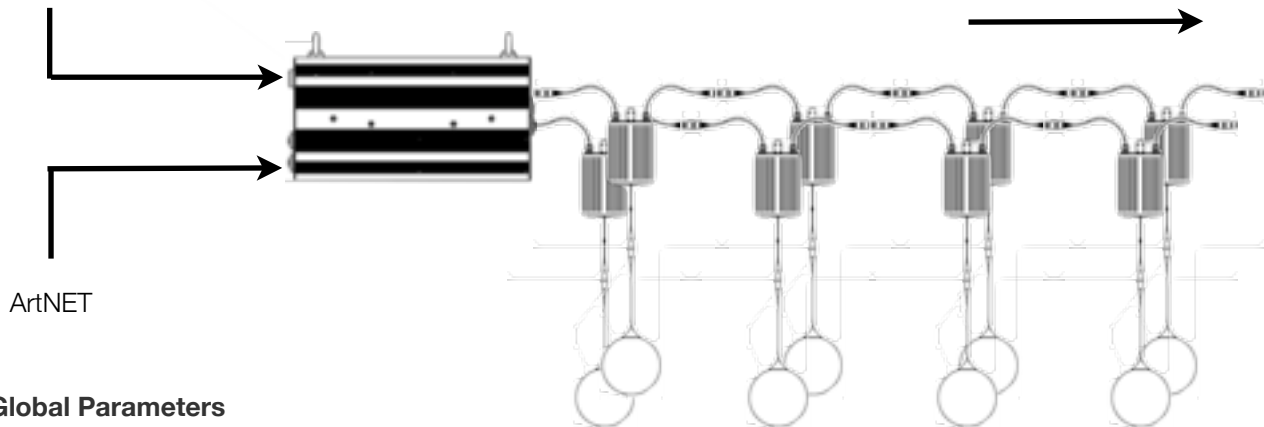
ORBIS-FLY-XL system is controlled via ArtNet or DMX protocol from any DMX Lighting desk.



110-230V

Controller /PSU 300W
max. distance first winch 3m
2 x Output for motor units

Up to 32 fixtures Xls-version (2x16),
20 fixture XL-version (2x10),
per Controller /PSU



Global Parameters

- Ch.#1 -Max Length
- Ch.#2 -Length Offset
- Ch.#3 -Global Speed
- Ch.#4 -Global Brightness
- Ch.#5 LED Gamma

Single Parameters

- Ch. #6-25 Motor unit 1-20 Length calibration
- Ch. #26-45 Motor unit 21-40 Length calibration
- Ch. #46-65 Motor unit 1-20 Position
- Ch. #66-125 Motor unit 1-20 Colour-LED RED, Green, Blue
- Ch. #126-145 Motor unit 21-40 Position
- Ch. #146-205 Motor unit 21-40 Colour-LED; Red, Green , Blue

Audio Visual Network GmbH

EU: +49-7224-650-123

www.audio-visual-network.com

US: +1-646-405-1023

info@audio-visual-network.com

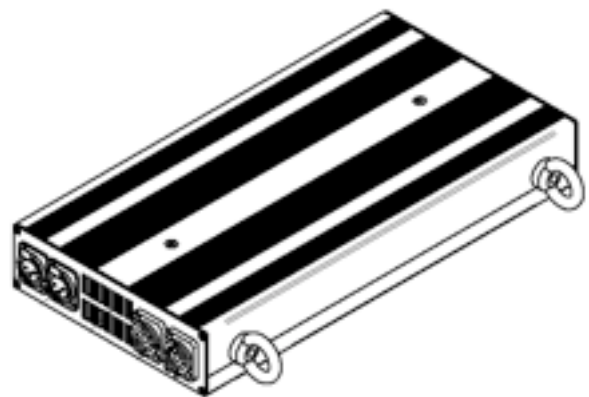
Kinetic LED System

Orbis Fly

Global Parameters ArtNet

Art-Net is an Ethernet communication protocol developed by Artistic Licence. Art-Net is a simple implementation of DMX512-A protocol over UDP, in which packets containing lighting settings are transmitted over IP packets, typically on a private local area network such as Ethernet. Controller has two outputs for Motor Units. Each Motor Unit has its number in a chain. Motor Units are identical and autoaddressable, and thus can be replaced or exchanged without need to setup its address.

	Channel on universe	Command description	Art-Net, Universe Port
Motor unit #1-20 OUT-1	1-20	Position light unit 1-20	0
Motor unit #1-20 OUT-1	21-80	LED Value Red-Green-Blue 1-20	0
Motor unit #21-40 OUT-2	81-100	Position light unit 21-40	0
Motor unit #21-40 OUT-2	101-160	LED value Red-Green-Blue 21-40	0



	Channel on universe	Command description	Art Net Universe Port
Max length	1	Light Units travel length	1
Length offset	2	Offset from top position	1
Max speed	3	General speed	1
Brightness	4	Brightness LED-Unit	1
LED Gamma	5	Gamma LED-Unit	1
Motor unit #1-20 OUT-1	6-25	Position calibration 1-20	1
Motor unit #21-40 OUT-2	26-45	Position calibration 21-40	1

Audio Visual Network GmbH

EU: +49-7224-650-123

www.audio-visual-network.com

US: +1-646-405-1023

info@audio-visual-network.com

Kinetic LED System

Orbis Fly

Road/Transport Case

Case for 20 Winches include 120mm LED-Sphere ,
DMX Artnet Controller cabling.

Size 41cm x 81cmx31cm (WxLxH)

Weight: 42kg

Other case options on request

